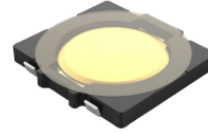


► **Product Features**

- Thin type
- RoHS Compliant



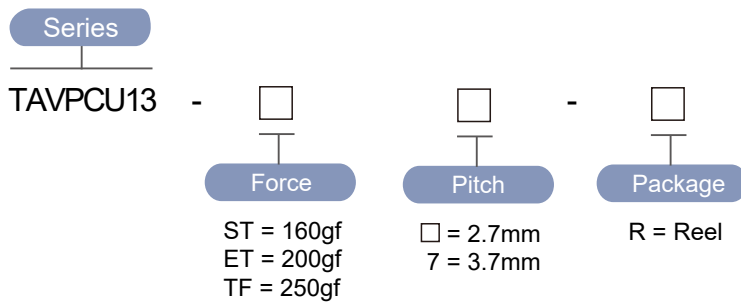
► **Materials**

Part Name	Base	Contact	Terminal
Material	LCP	SUS Ag plated	Brass Ag plated

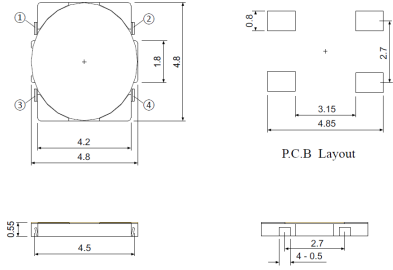
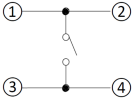
► **Specification**

Operating Force	160, 200, 250gf
Actuator Travel	0.20 ±0.1mm
Operating Temperature Range	-20°C ~ 70°C
Storage Temperature Range	-40°C ~ 85°C
Voltage Rating	50mA, 12VDC
Actuation Life Cycle	100,000 times
Insulation Resistance	100 MΩ min @ 100VDC
Dielectric Strength	250VAC for 1 minute
Contact Resistance	100mΩ max

► **Part Number**



► Diagram

NO.	Dimensions	Circuit
TAVPCU13		
TAVPCU13-7	