

▶ Product Features

- Multiple options of stems
- Multiple options of force
- RoHS Compliant



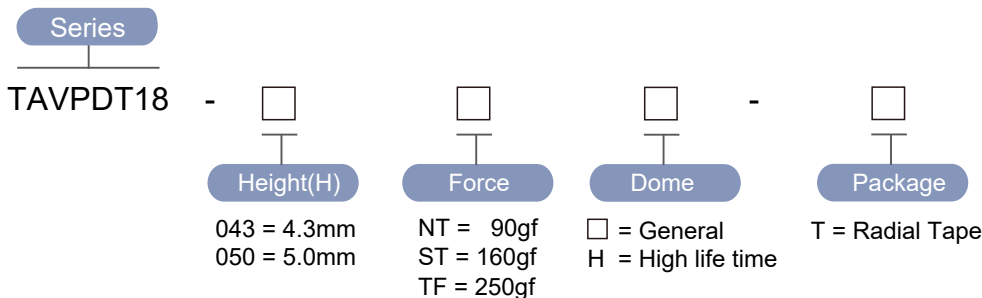
▶ Materials

Part Name	Base	Cover	Stem	Contact	Terminal
Material	PA66	Iron	PA66	Phosphor bronze Ag plated	Brass Ag plated

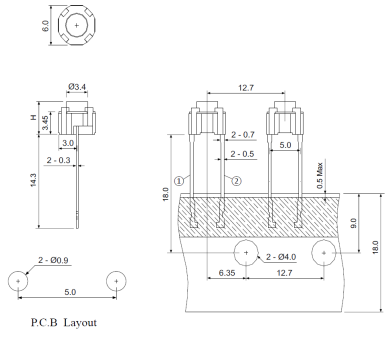
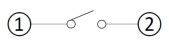
▶ Specification

Operating Force	90, 160, 250gf
Actuator Travel	0.25 ±0.05mm
Operating Temperature Range	-20°C ~ 70°C
Storage Temperature Range	-40°C ~ 85°C
Voltage Rating	50mA, 12VDC
Actuation Life Cycle	□ : 50,000 times Max; H : 80,000 times Max
Insulation Resistance	100 MΩ min @ 100VDC
Dielectric Strength	250VAC for 1 minute
Contact Resistance	100mΩ max

▶ Part Number



► Diagram

NO.	Dimensions	Circuit
TAVPDT18	 <p>The technical drawing includes the following dimensions and features:</p> <ul style="list-style-type: none"> Top View: Square footprint with side length 6.0 mm. Side View: Total height 14.3 mm. Key dimensions include 1.4 mm for the top housing, 3.4 mm for the actuator length, 3.0 mm for the actuator diameter, and 2 - 0.3 mm for the base thickness. PCB Layout: Shows two circular mounting holes with a diameter of 2 - Ø0.9 mm and a center-to-center distance of 5.0 mm. Bottom View: Shows two pins with a diameter of 2 - Ø1.0 mm. The distance between the pin centers is 12.7 mm. The distance from the center of the pins to the edge of the base is 6.35 mm. The base thickness is 9.0 mm, and the total height of the base is 18.0 mm. The actuator length is 12.7 mm. The distance from the actuator tip to the base is 2 - 0.7 mm. The distance from the actuator tip to the center of the pins is 2 - 0.5 mm. The distance from the actuator tip to the edge of the base is 0.5 mm Max. 	 <p>The circuit symbol shows a switch with two terminals, labeled 1 and 2, connected by a switch mechanism.</p>